

eSET Touchfree Basin mixer without pop-up waste with temperature setting - Chrome

TARA

ST 010 105 7882



Fits: TARA, META

- 166mm projection
 - pivotable spout 360°
 - circular, air-enriched flow
 - height of mixer 285 mm
 - height up to aerator 163 mm
 - rosette Ø 60 mm
 - hole diameter 35 mm
 - 2x screw-in M 10 x 1 pressure hose, leak-tested
 - 1/2" connection
 - max. flow 7 l/min
 - lead-free
 - automatic hygiene flush
 - suitable for thermal disinfection
 - adjustable follow-up time
 - high-frequency sensors with self-calibration
 - magnetic valve
 - temperature setting via thermostat
 - 100-240 V AC / 12 V DC, 50-60 Hz, 18 W power supply unit, incl. country-specific adapter set
 - This product can help a building meet the requirements of Green Building Rating Systems, e.g. LEED®, BREEAM®, DGNB
- Cannot be combined with basins in conducting materials (e.g. steel, river stone).**
Cannot be combined with basins that have a closing drain.
ATTENTION: Separate terms and conditions for electronic articles are applicable.

Individual components of this set

You need the following components for this set



1x 42 765 970 90



1x 13 716 882-00



eSET Touchfree Basin mixer without pop-up waste with temperature setting -
Chrome

TARA

ST 010 105 7882

eSET Touchfree Basin mixer without pop-up waste with temperature setting - Chrome

TARA

ST 010 105 7882



Fits: IMO, LULU, MADISON, MEM, TARA, CL.1, LISSÉ, VAIA, META, CYO

- automatic hygiene flush
 - suitable for thermal disinfection
 - adjustable follow-up time
 - high-frequency sensors with self-calibration
 - magnetic valve
 - temperature setting via thermostat
 - 100-240 V AC / 12 V DC, 50-60 Hz, 18 W power supply unit, incl. country-specific adapter set
- Cannot be combined with basins in conducting materials (e.g. steel, river stone).
Cannot be combined with basins that have a closing drain.**
- ATTENTION: Separate terms and conditions for electronic articles are applicable.**

Cannot be combined with basins in conducting materials (e.g. steel, river stone).

Cannot be combined with basins that have a closing drain.

ATTENTION: Separate terms and conditions for electronic articles are applicable.

Required miscellaneous



eSET Touchfree Basin mixer with temperature setting for combining with wall-mounted fittings - 35 741 970 90

- max. recess depth 125 mm
- min. recess depth 90 mm

Required miscellaneous



eSET Touchfree Basin mixer with temperature setting for combining with free-standing fittings - 35 740 970 90

Recommended miscellaneous

Extension for Touchfree 500 mm - 12 765 970 90



ST 010 105 7882
mm [inches]



Certificates

LGA_29120.	WRAS_1906116.	IAPMO_EGS.	CE000001_eSet_Tou chfree_20171206_D E_signed.	CE000002_eSet_Tou chfree_20171206_E N_signed.
LGA_29119.				

ST 010 105 7882



Spare parts list

No.	Item Number	Name	Quantity used	Delivery time
1	90 10 01 177 00 90	electronic accessories	1	2
2	90 17 20 199 00 90	holder	1	2
3	90 23 01 124 00 90	sleeve	1	2
4	09 23 10 129 90	nut	1	2
5	04 30 50 079 00 90	valve	1	2
6	90 15 02 013 00 90	cartridge	1	2
7	04 10 01 246 00 90	electronic accessories	1	2
8	04 30 31 024 01 90	fixing set	1	2

ST 010 105 7882



Fits: TARA, META

- 166mm projection
- pivotable spout 360°
- circular, air-enriched flow
- height of mixer 285 mm
- height up to aerator 163 mm
- hole diameter 35 mm
- rosette Ø 60 mm
- 2x screw-in M 10 x 1 pressure hose, leak-tested
- 1/2" connection
- max. flow 7 l/min
- lead-free
- This product can help a building meet the requirements of Green Building Rating Systems, e.g. LEED®, BREEAM®, DGNB

For Touchfree control please order eSet Touchfree
WITH or WITHOUT temperature adjustment

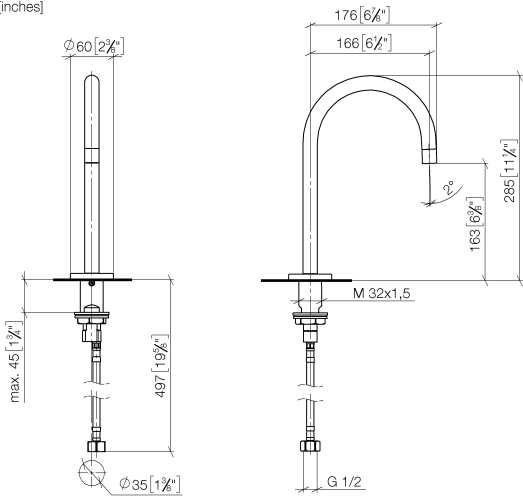


eSET Touchfree Basin mixer without pop-up waste with temperature setting -
Chrome

TARA

ST 010 105 7882

ST 010 105 7882
mm [inches]



Flow rate chart



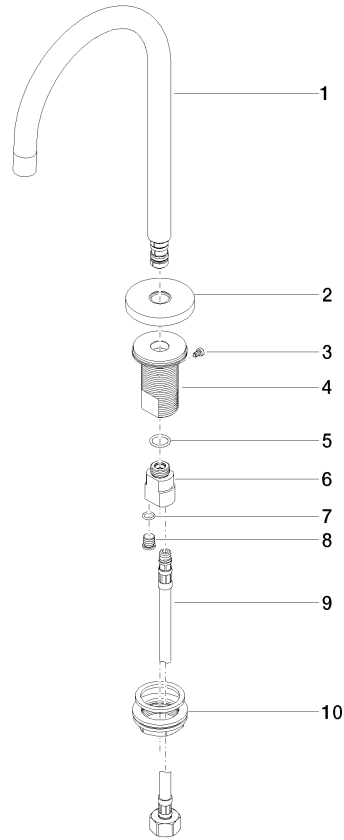
Certificates

LGA_29120.

WRAS_1909064.

GDV_0400289.

ST 010 105 7882



Spare parts list

No.	Item Number	Name	Quantity used	Delivery time
1	90 28 22 319 00-00	spout	1	10
2	09 27 89 114-00	rosette	1	10
3	09 30 30 037 90	screw	1	2
4	09 30 22 027 90	connection	1	60
5	09 14 10 130 90	seal	1	2
6	09 11 10 055 10 90	connection	1	2
7	90 14 10 060 00 90	seal	1	2
8	09 31 20 065 90	plug	1	2
9	04 30 04 019 00 90	hose	1	2
10	04 23 10 009 01 90	fixing set	1	2